



**RENAULT**  
Passion for life

# All-new Renault **DUSTER**



Tough design







## Distinctive styling

Built for adventure, All-new Renault Duster is a vehicle of distinctive styling. The tone is set by the aggressive lines and chrome trim of the grille, alongside a raised waistline and powerful C-shaped light signature. These strong, powerful lines are enhanced by 17-inch alloy wheel rims that underline the car's character. A car to open new horizons.









## A cabin designed for you

The interior of All-new Renault Duster reflects its generous, adventure-seeking nature. The spacious cabin is bright and reassuring. The driver and passenger seats provide plenty of support to ensure your comfort wherever you go. The upholstery features a high-quality finish, as for the dashboard, where particular emphasis was placed on ergonomic design. Behind the steering wheel, adjustable for height and reach, TFT digital meters invite you on an inspirational and illuminated tour of discovery.



Equipped to go further







DUSTER



## Off-road for all

Nothing stops All-new Renault Duster, neither sharp slopes, nor steep tracks. Hill Descent Control let you drive anywhere with ease. At the same time, the Multiview camera acts as a third eye, highlighting any holes, stones or obstacles likely to get in your way. With 4x4 Monitor, you can even check the pitch and roll angles of your SUV at any time. Explore without limits.



## Heading for the wide open spaces

What could be more exciting than setting out on an adventure with your family or friends? It takes just a few seconds to adapt the modular interior layout of All-new Renault Duster to your needs or requirements: the rear bench seat features a 1/3-2/3 split-fold function, while the boot boasts record loading capacity. Duster features an array of storage compartments around the cabin, from the doors to the seat backs via the central console. You and your passengers enjoy all the comfort.





## Smart features

Drive with an easy mind. Use the hands-free card to lock and unlock the doors from a distance! You can even start the automatic air-conditioning before getting into the car with the remote engine start. All-new Renault Duster likes to take care of you. On the road, the blind spot warning picks up any hidden vehicles, while the speed limiter and cruise control functions help you concentrate on your driving. Delivering real support, in the city and elsewhere!

# CARLAB Chromo Zone

Atacama Orange



Mink Brown



Mercury\*



Comet Grey



Navy Blue



Glacier White



Pearl Black



Cosmos Blue



Dune Beige



\* Depending on stocks

## PE



### PE Equipment

- Reversing Light
- ABS
- Trip computer
- Emergency braking assistance
- Front driver & passenger airbags
- Passenger airbag with disconnecting function
- Driver & passenger seatbelt unlock alarm
- Three rear adjustable headrests
- Smoker accessories
- Gear shift indicator
- Side repeaters on door mirrors
- Black longitudinal bars with "Duster" lettering
- Air conditioning
- Three point rear middle seatbelt
- Central door locking
- Eco mode
- ESP + Hill Start Assist for 4x2
- ESP + Hill Descent Control for 4x4
- LED daytime running lights
- Third brake light with LED
- Isofix
- Defrosting rear window
- Front electric window
- Black door mirrors
- Fog lights
- Radio MP3, USB / Jack plug, Bluetooth
- 16" FIDJI steel wheels
- Manual adjustment door mirrors
- Normal size spare wheel
- Cruise control / Speed limiter
- 2 button key
- Tyre pressure monitoring
- 1/3 - 2/3 foldable bench seat
- Height adjustable driver seat
- Height adjustable steering wheel

## SE



### SE Equipment = PE + ...

- Front side airbags
- Satin chrome roof bars with "Duster" lettering
- Rear parking sensors
- Rear electric windows
- One touch driver side window
- Satin chrome door mirrors
- 16" CYCLADE silver alloy wheels
- Electric adjustment & defrosting door mirrors
- Leather steering wheel
- Automatic air conditioning
- Renault smart card with keyless entry
- Driver seat with height & lumbar adjustment
- Retractable armrest
- Storage under passenger seat
- Mass chrome effect skid front & rear skid plate
- Rear strip with mirror chrome effect

# LE



## LE Equipment = SE + ...

- Remote engine start
- Media Nav. 3.0
- Radio with integrated 7" touchscreen
- 17" MALDIVE black diamond alloy wheels
- Interior carbon stitching

- Satin chrome on dashboard
- Blind spot warning
- Multiview camera

## Option

- Beige leather seats

## Wheel Rims



16" FIDJI - PE



16" CYCLADE - SE

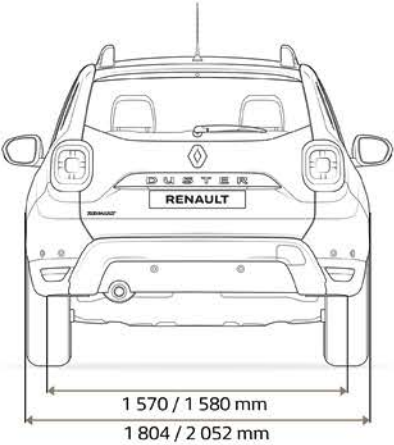
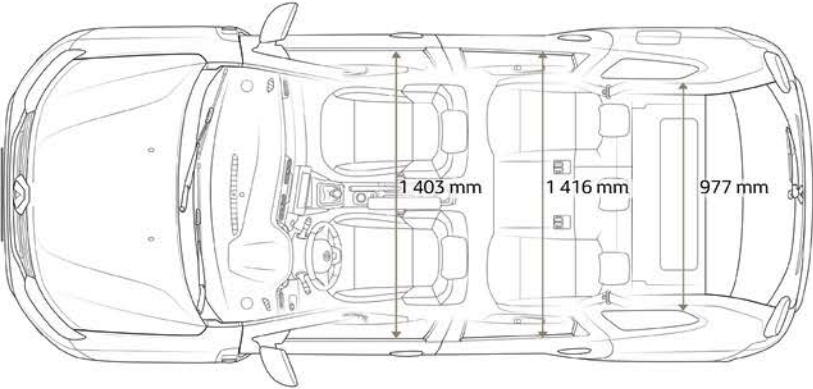
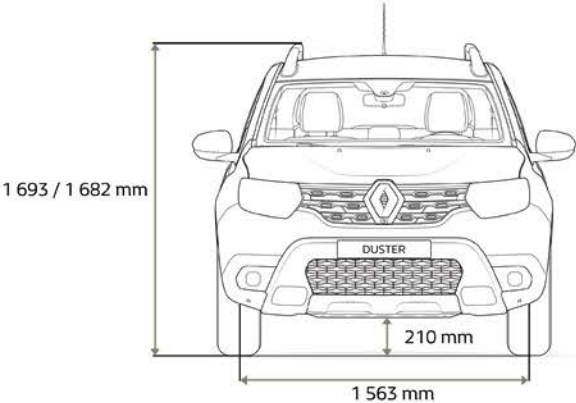
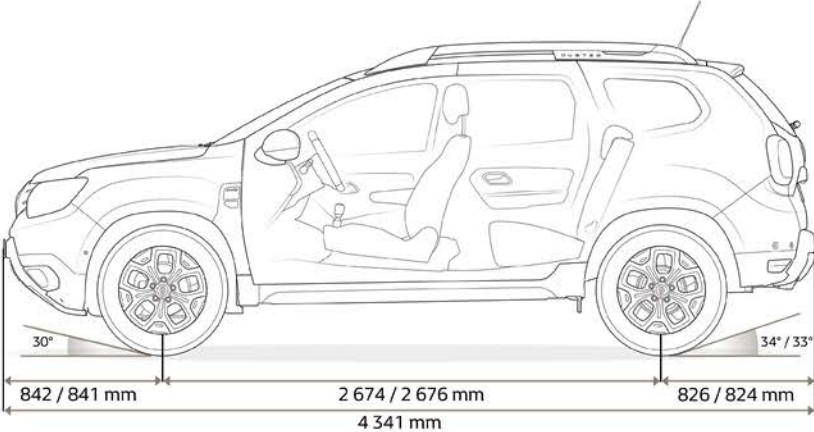


17" MALDIVES - LE

	1.6L 4x2	2.0L 4x4
<b>ENGINES</b>		
Fuel	Petrol	Petrol
Max Power kW EEC (hp) at engine speed of (rpm)	84 (115) at 5500	105 (135) at 5500
Max Power Nm EEC (Nm) at engine speed of (rpm)	156 at 4000	195 at 4000
Type of injection	Sequential Multipoint	Sequential Multipoint
Capacity (cc)	1598	1998
No. of cylinders/valves	4/16	4/16
Emission control standard and type	Euro 5	Euro 5
<b>PERFORMANCE</b>		
Top speed (km/h) / 0-100 km/h (s)	161/13.2	178/11.5
400m / 1,000m stopping distance (s)	19.2/35.1	17.9/33.1
<b>GEARBOX AND TRANSMISSION</b>		
Transmission	4x2	4x4
Gearbox type / number of gears	CVT/6	AT/4
<b>STEERING</b>		
Steering	Electric power steering	Electric power steering
Turning circle, kerb to kerb (m)	10.14	10.15
<b>BRAKING</b>		
Front: ventilated disc (VD) diameter (mm)	(VD) 269	(VD) 280
Rear: drum (D) / diameter (inches)	(D)/9	(D)/9
<b>WHEEL AND TYRES</b>		
Standard tyre size	215/65 R16	215/65 R16
<b>FUEL CONSUMPTION AND EMISSIONS</b>		
Eco mode	Yes	Yes
Fuel tank capacity (l)	50	50
CO2 emissions (g/km)	160	197
Consumption – Extra-urban cycle (l/100km)	5.8	6.9
Consumption – Full cycle (l/100km)	6.9	8.5
Consumption – Urban cycle (l/100km)	8.8	11.3
<b>WEIGHT (KG)</b>		
Kerb weight min/max	1235/1294	1393/1426
Gross vehicle weight (GVW)	1785	1900
Payload min/max	491/550	474/507
Max braked towing weight	1200	1000
Max unbraked towing weight	655	730
Boot capacity (L)	478	414
Max. boot capacity with rear seats folded (L)	1623	1559



# CARLAB Dimensions



Dimensions (mm) 4X2 / 4X4

A wide-angle landscape photograph of a desert valley. In the foreground, a paved road curves from the bottom right towards the center. The terrain is arid, with sparse, dry vegetation and rocky ground. In the background, a range of mountains stretches across the horizon under a hazy, overcast sky. The overall color palette is muted, with earthy browns, greys, and soft blues.

All-new Renault DUSTER

The unstoppable SUV



Continue the Renault Duster experience

on [www.renault-me.com](http://www.renault-me.com)

Join us on     /RenaultME

Every precaution was taken to ensure this publication was accurate and up-to-date when printed. This document is based on pre-production and prototype models. In line with its policy of continuous product improvement, Renault reserves the right to modify the specifications, vehicles and accessories described and featured at any time. Any such changes are communicated to Renault dealers as quickly as possible. Depending on the country of sale, some versions may differ and some equipment may be unavailable (as standard, as an option or as an accessory). Please contact your nearest dealer for the latest information. For technical printing reasons, the colours featured in this document may differ slightly from those of the actual paintwork or interior trim. All rights reserved. Reproduction in any format and by any means of all or part of this publication is prohibited without prior written authorisation from Renault.

Renault recommends 

Prodigious Photo credits: T. Klinkow, A. Bernier, © Renault Marketing 3D-Commerce – Printed in EC – xxxxxxxxxx – August 2018.

Renault s.a.s. French simplified joint-stock company with capital of €533,941,113.00/ 13-15, quai Le Gallo – 92100 Boulogne-Billancourt Cedex – Nanterre  
Trade & Companies Registry Nanterre B 780 129 987 / Tel.: +33 (0) 810 40 50 60